

Alfa Romeo 2000 GTAm BODY SHELL

Official Licensed Product

NO.48318

killerbody™

1/10 RC PLANNING INSTRUCTION SHEET

This body can be used with 1/10 electric touring car chassis (Long Wheelbase: 257mm Width: 195mm)

Before beginning assembly, please read these instructions thoroughly!

● Symbols used throughout the instruction manual, comprise:



Cut off shaded portion.



5mm
Drill holes with
the specified diameter.



Pay close attention here!



Must be purchased
separately.



Assemble left and right sides
the same way.



● Before Assembly

Decoration Body

- ▶ In the case of a decoration body, please assemble it according to the contents showed.

When making the window transparent:

- ▶ If you want to make the window transparent with a non decoration body, please assemble it according to the contents showed.

Non Decoration Body

- ▶ In the case of non decoration body, please assemble it according to the contents showed.

When loading LED lights

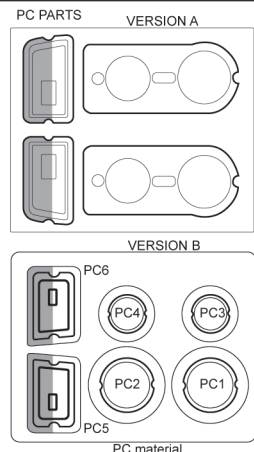
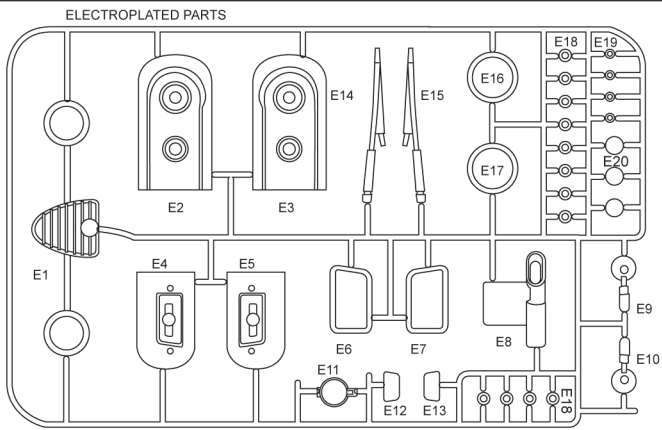
- ▶ If you want to load LED lights with a non decoration body, please assemble it according to the contents showed.

PARTS

- BODY ----- X1
- ELECTROPLATED PARTS ----- X1
- PC PARTS ----- X1
- DECAL SHEET ----- X1
- WINDOW MASKS ----- X1

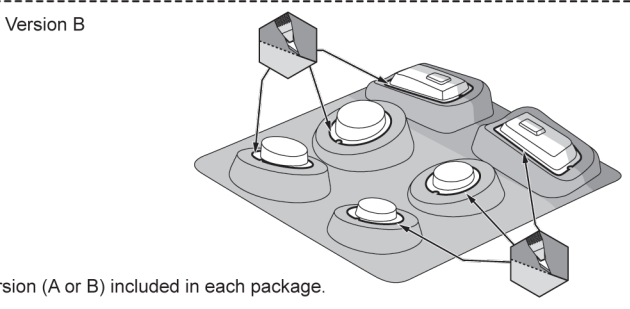
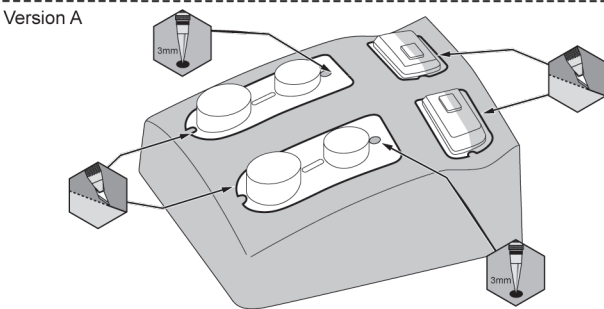
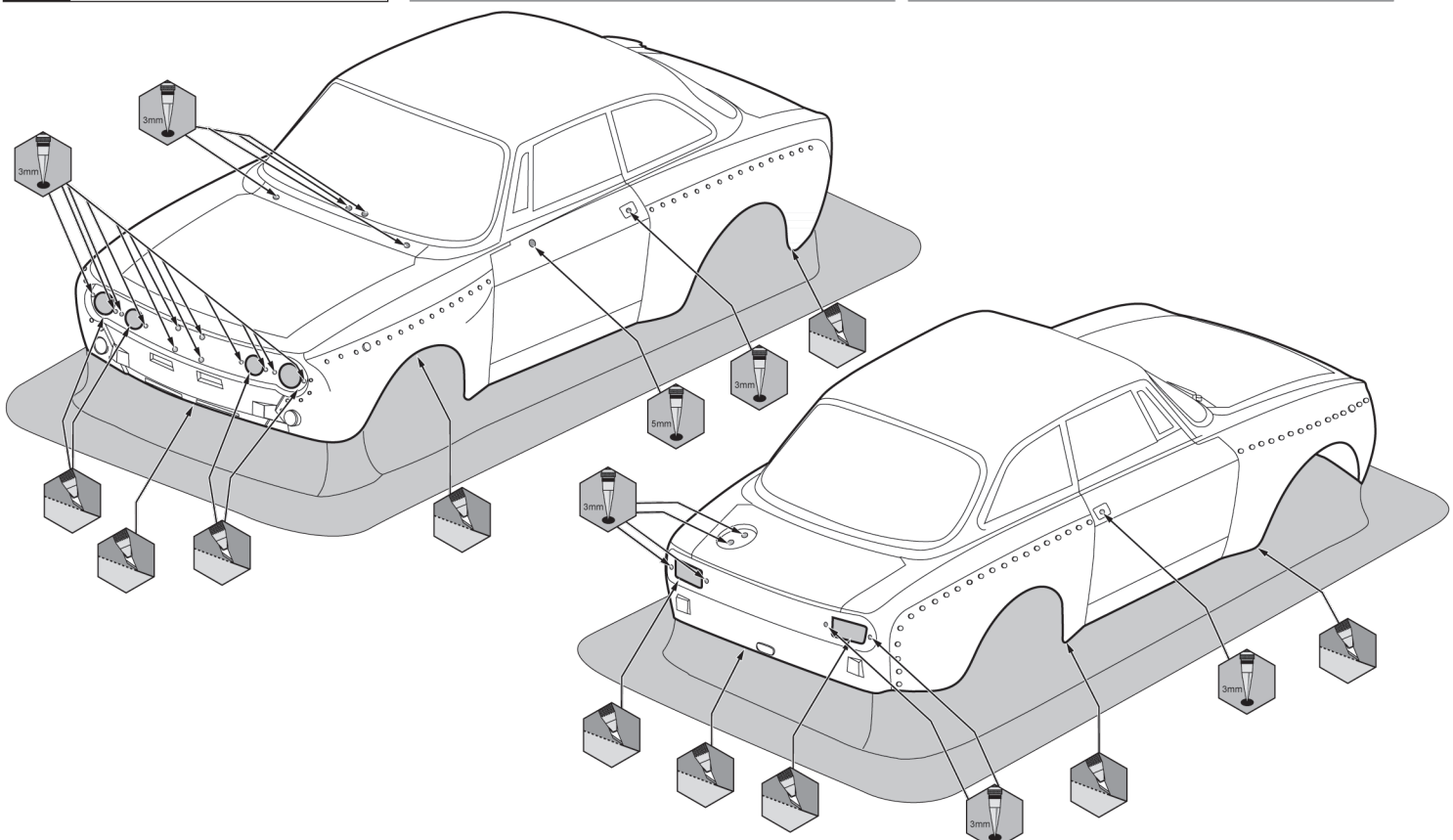
PARTS BAG

- LED STOPPER ----- X6
- Clip ----- X1
- O-Ring ----- X5
- TAPPING SCREW ----- X6
- DOUBLE-SIDED TAPE ----- X1
- ALUMINUM TAPE ----- X1



1 Body Shell

When making the window transparent: Non Decoration Body
When loading LED lights



Only one version (A or B) included in each package.

2 Painting

Non Decoration Body
 When loading LED lights

1 Before painting, use a neutral detergent to remove any oil residues and dirt.

When making the window transparent:

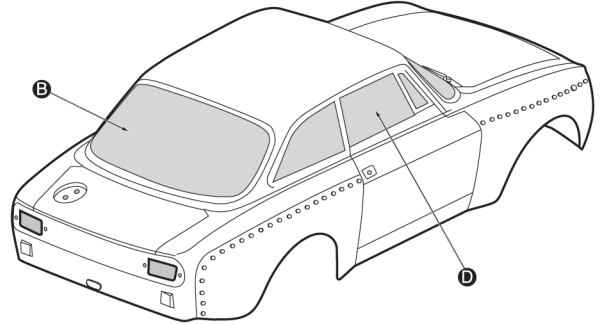
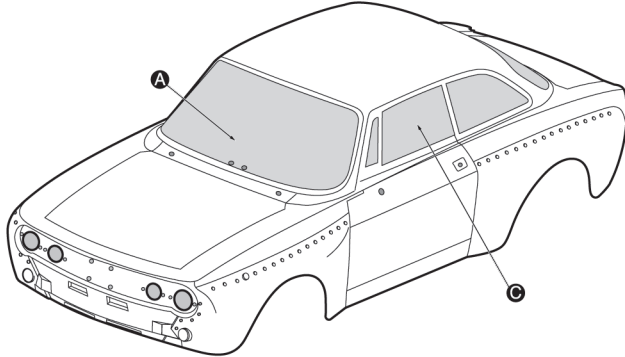
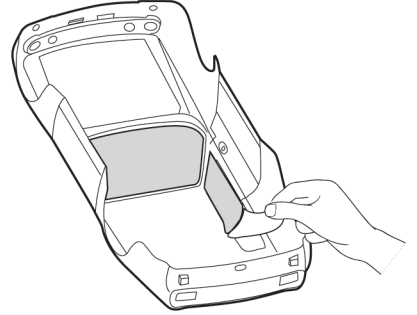
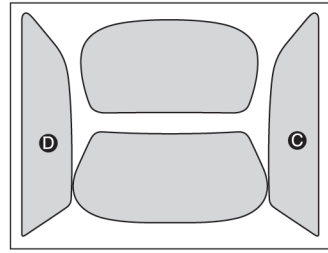
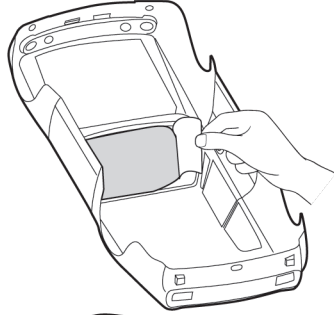
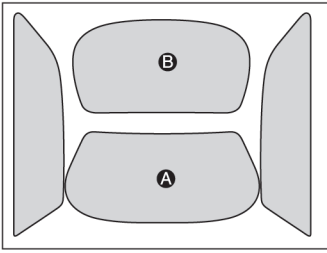


When making the window transparent:

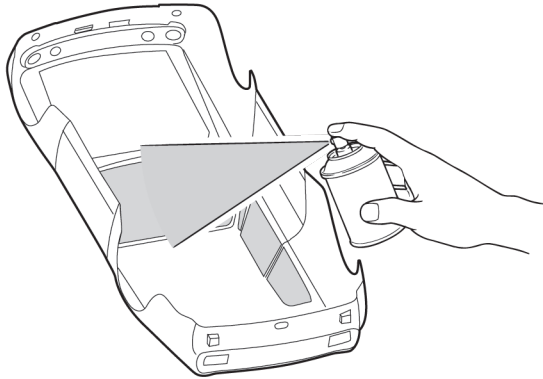
2 Mask the windows from the inside.

2 Mask the windows from the inside.

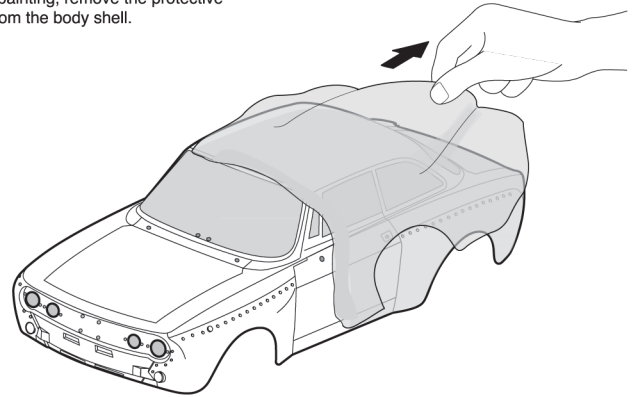
When loading LED lights



3 Paint the body shell from the inside.



4 After painting, remove the protective film from the body shell.



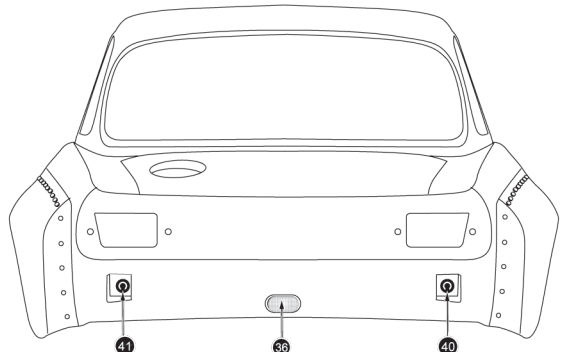
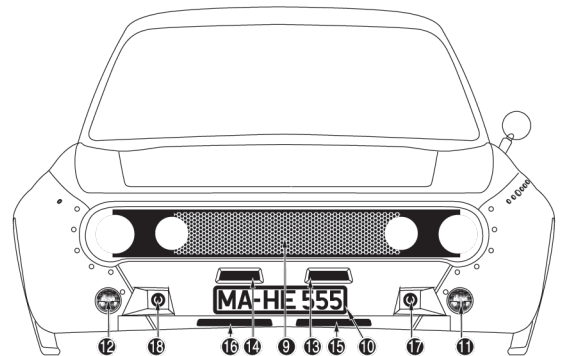
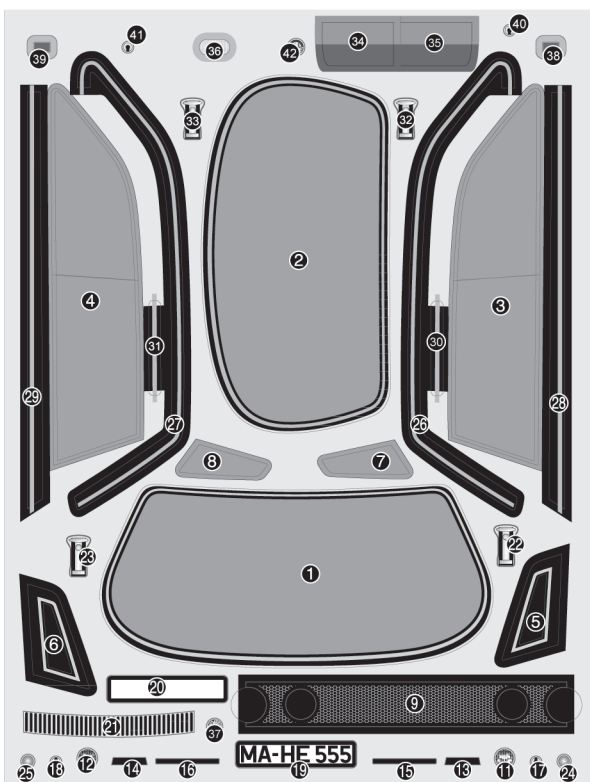
3 Decal

When making the window transparent

Non Decoration Body

When loading LED lights

► The decal numbers between brackets are only for the opposite side.



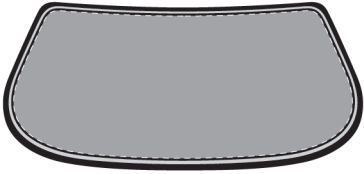
<Decal>

When making the window transparent



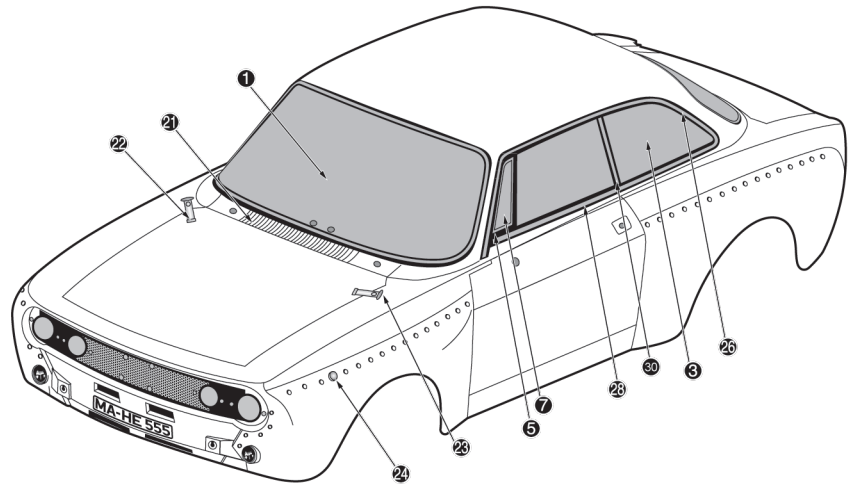
► 1 2 5 6

Cut the translucent (smoked color) part.



► 4 3

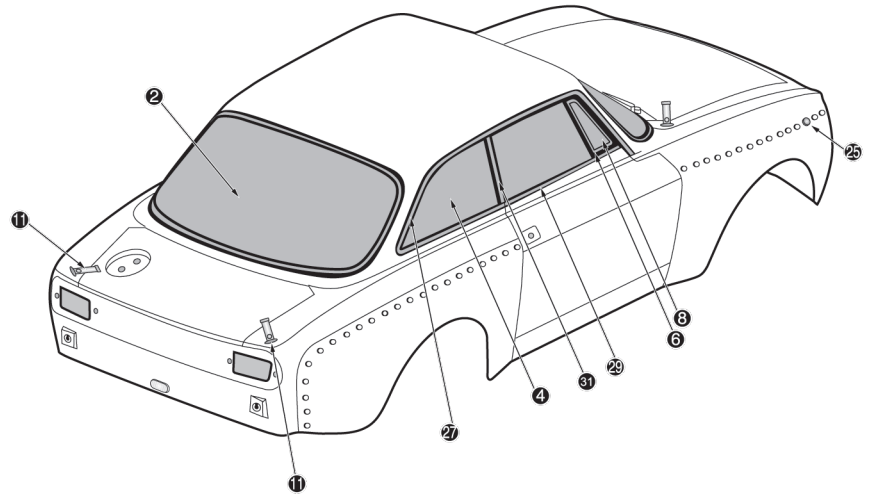
The translucent (smoked color) window decal is optional to stick on.



When reproducing the light by decal

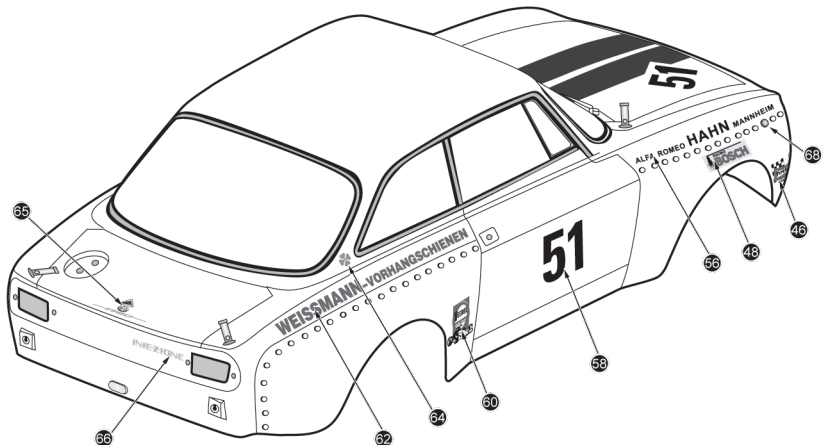
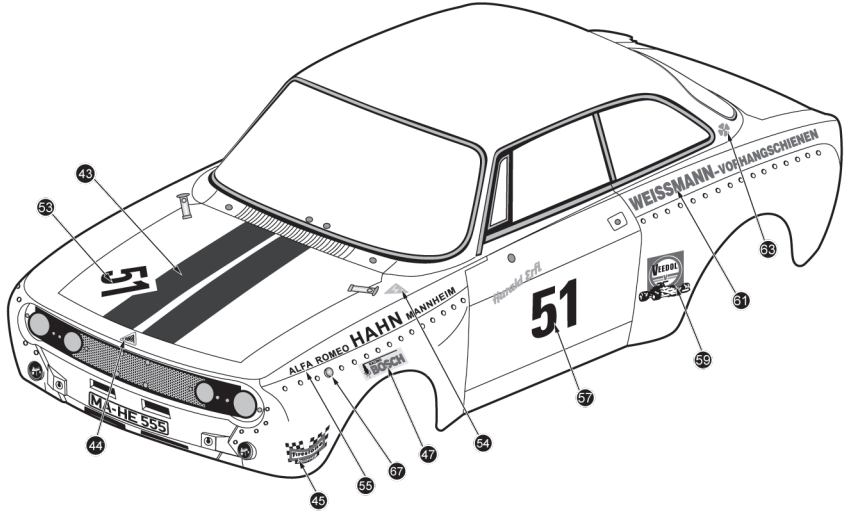
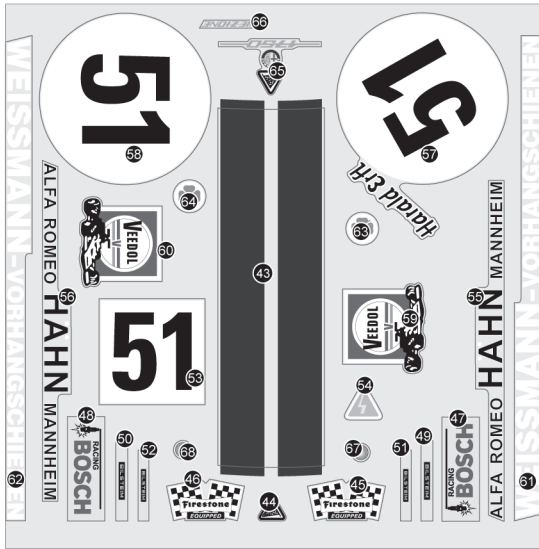
► Change the decal according to the following contents.

19 → 20



Decal for racing


► Must be purchased separately.



5 Plastic Parts

When loading LED lights

LED STOPPER

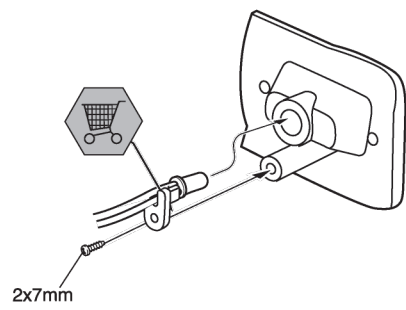
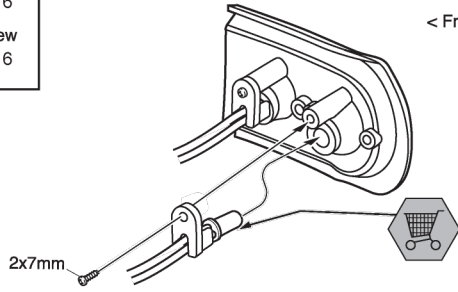
-  6
- 2 x 7mm F/H TP Screw 6



- ▶ Please tape the wiring, etc. on the body using the attached aluminum tape.
- ▶ Please put the attached aluminum tape on the top and bottom of the headlight and the taillights.

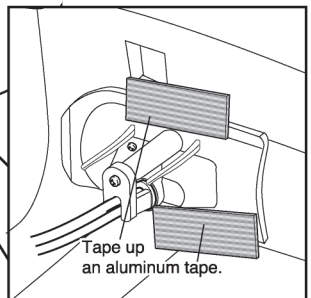
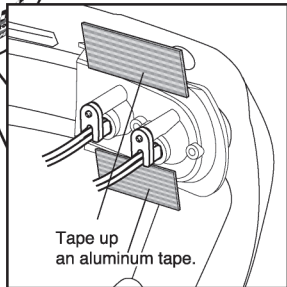
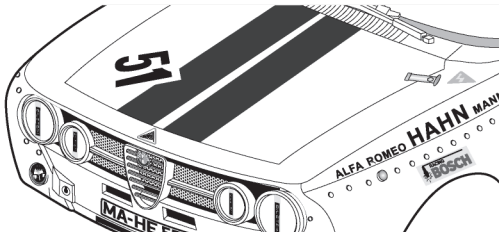
< Front >

< Rear >



< Front >

< Rear >



6 Body

Decoration Body

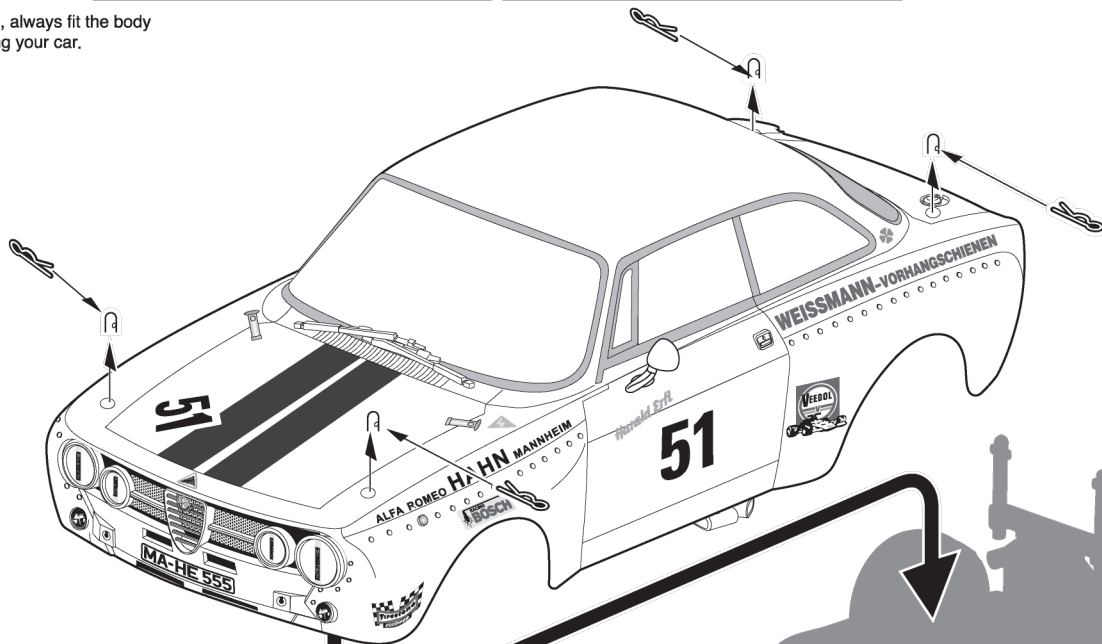
Non Decoration Body

When making the window transparent:

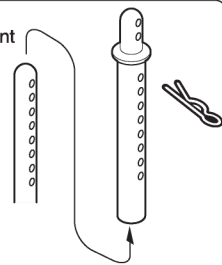
When loading LED lights



- ▶ For safety reasons, always fit the body shell when running your car.



- ▶ Use the extension body mount (sold separately) if the body mount height is not enough.



Option Parts & Accessory

No.	Part Names	No.	Part Names
48318	Alfa Romeo 2000 GTAm Clear Body	48260	Drift Tire 4Pcs./Pkg 1/10 Touring Car
48251	Alfa Romeo 2000 GTAm Finished Body Red (Printed) Decorative sticker decaled Light buckets assembled	48281	Exhaust Pipe (Can be installed with LED) 1/10 Scale
48319	Alfa Romeo 2000 GTAm Body Shell Red (Printed) Trimmed & Decaled	48282	Exhaust Pipe (Can be installed with LED) 1/10 Scale
48320	Alfa Romeo 2000 GTAm Body Shell Yellow (Printed) Trimmed & Decaled	48283	Exhaust Pipe (Can be installed with LED) 1/10 Scale
48322	Alfa Romeo 2000 GTAm Body Shell Blue (Printed) Trimmed & Decaled	48284	Exhaust Pipe (Can be installed with LED) 1/10 Scale
48321	Alfa Romeo 2000 GTAm Finished Body Yellow (Printed) Light buckets assembled	48231	Moveable Fuel Door 1/10 Scale
48323	Alfa Romeo 2000 GTAm Finished Body Blue (Printed) Light buckets assembled	48351	Number Plate W/LED Unit Set 1/10 Scale
48324	Decal Sheet (Alfa Romeo 2000 GTAm)	48242	Dashboard (Right) 1/10 Scale
48325	Chromed Plastic Parts Set (Alfa Romeo 2000 GTAm)	48241	Dashboard (Left) 1/10 Scale
48326	Chromed Light Bucket (Alfa Romeo 2000 GTAm)	48245	Navigator Set 1/10 Scale
48327BLK	Aluminum Alloy Wheel (Alfa Romeo 2000 GTAm)	48235	Chromed Plastic Door Handle 1/10 Scale
48327SIL	Aluminum Alloy Wheel (Alfa Romeo 2000 GTAm)	48236	Black Plastic Door Handle 1/10 Scale
48327SIGY	Aluminum Alloy Wheel (Alfa Romeo 2000 GTAm)	48350	Hooks & Rings Set (Diecast alloy) 1/10 Scale
48357	Wing Mirror W/LED Unit Set 1/10 Touring Car	48361	Hooks & Rings Set (Diecast alloy) 1/10 Scale
48358	Wing Mirror W/LED Unit Set 1/10 Touring Car	48274	Body Clip 1/10 Scale
48359	Wing Mirror W/LED Unit Set 1/10 Touring Car	48273	Body Rope w/Clip Set (Metal) 120mm
48360	Wing Mirror W/LED Unit Set 1/10 Touring Car	48362	Body Rope w/Clip Set (Metal) 100mm
48352	Bodyshell Basic Plastic Parts 1/10 Touring Car	48363	Body Rope w/Clip Set (Metal) 80mm
48353	Moveable Headlight 1/10 Touring Car	48365GD	Flange Locknut (Aluminum alloy) Gold
48354BLK	Aluminum Alloy Wheel 1/10 Touring Car	48365BK	Flange Locknut (Aluminum alloy) Black
48354GLD	Aluminum Alloy Wheel 1/10 Touring Car	48365RD	Flange Locknut (Aluminum alloy) Red
48354SIGY	Aluminum Alloy Wheel 1/10 Touring Car	48365SL	Flange Locknut(Aluminum alloy) Silver
48355	Caliper Brake Disc (CNC Aluminum) 2 Bigger & 2 Smaller 1/10 Touring Car	48365GY	Flange Locknut(Aluminum alloy) Grey
48356	Caliper Brake Disc (CNC Aluminum) 2 Bigger & 2 Smaller 1/10 Touring Car		
48276	Aluminum Alloy Intercooler w/Installation Parts 1/10 Touring Car		
48366	Aluminum Alloy Intercooler w/Installation Parts 1/10 Touring Car		
48232SL	Carbon Car Tail Silver 1/10 Touring Car		
48232BK	Carbon Car Tail Black 1/10 Touring Car		
48263	Wheel 6mm offset 4Pcs./Pkg 1/10 Touring Car		
48264	Wheel 3mm offset 4Pcs./Pkg 1/10 Touring Car		
48265	Wheel 3mm offset 4Pcs./Pkg 1/10 Touring Car		
48364	Wheel 6mm offset 4Pcs./Pkg 1/10 Touring Car		
48258	Drift Tire 4Pcs./Pkg 1/10 Touring Car		
48259	Drift Tire 4Pcs./Pkg 1/10 Touring Car		

WWW.KILLERBODYRC.COM